

onyx SERIES



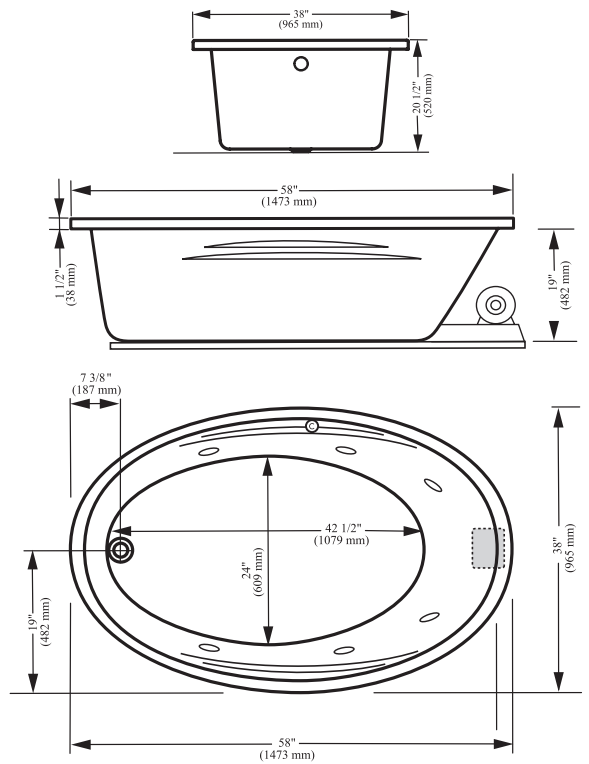
GLT3858CWH	38X58 DI SOAKER WH
GLW3858CCMHWH	38X58 DI W/P 6 JET WH
GLA3858CWH	38X58 DI AIR TUB WH
GLT3858CBS	38X58 DI SOAKER BS
GLW3858CCMHBS	38X58 DI W/P 6 JET BS
GLA3858CBS	38X58 DI AIR TUB BS

GLT4070CWH	40X70 DI SOAKER WH
GLW4070CCMHWH	40X70 DI W/P 6 JET WH
GLA4070CWH	40X70 DI AIR TUB WH
GLT4070CBS	40X70 DI SOAKER BS
GLW4070CCMHBS	40X70 DI W/P 6 JET BS
GLA4070CBS	40X70 DI AIR TUB BS

onyx drop-in specifications

onyx 3858

58" Length overall
38" Width overall
20 1/2" Overall height
Capacity: 40 gallons
Drain Position: End
6 hydro jets



○ Suction Location © Control Location ▣ Pump Location

onyx 4070

70" Length overall
40" Width overall
20 1/2" Overall height
Capacity: 50 gallons
Drain Position: End
6 hydro jets

